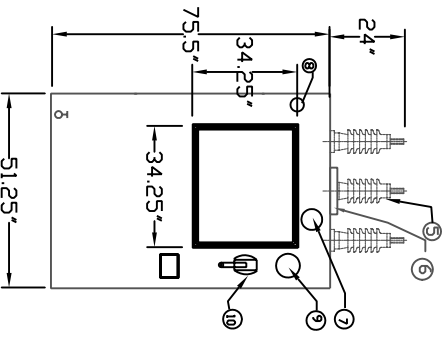
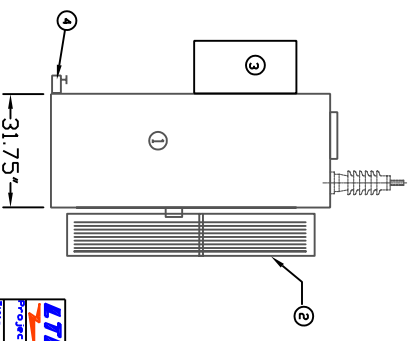


Top View



Front View



Side View

Transformer Name Plate Data

Serial #B31S1819
 Make: Westinghouse
 KVA: 1000
 Vector: Rel: D/Y
 Temp. Rise: 65 C
 Lt. Oil: 235

Type: DNAME/DNAF
 HV: 27600V
 Neut:
 B.L.L.H.V.: 200kV
 Tx.Wt.: 9000kg

Tap Position	Volts	Amperes
Tap # 1	28980	26.5
Tap # 2	28290	27.2
Tap # 3	27600	27.9
Tap # 4	26910	28.7
Tap # 5	26220	29.3

Identification

1. Transformer Main Tank
2. Transformer cooling fins
3. Secondary Junction Box
4. Main Sample Valve
5. HV Bushings
6. Pressure Relief Device
7. Pressure/Vac. Gauge
8. Liquid Level Gauge
9. Temperature Gauge
10. Tap Changer

TLT LINEMAN'S TESTING LABORATORIES
 41 RIVINGTON ROAD, WESTFIELD, CONNECTICUT 06408
 Project: 1000KVA Transformer (ABC)
 Title: Design and Data
 By: [Name] Approved: [Signature] Date: [Date]
 Scale: NTS