

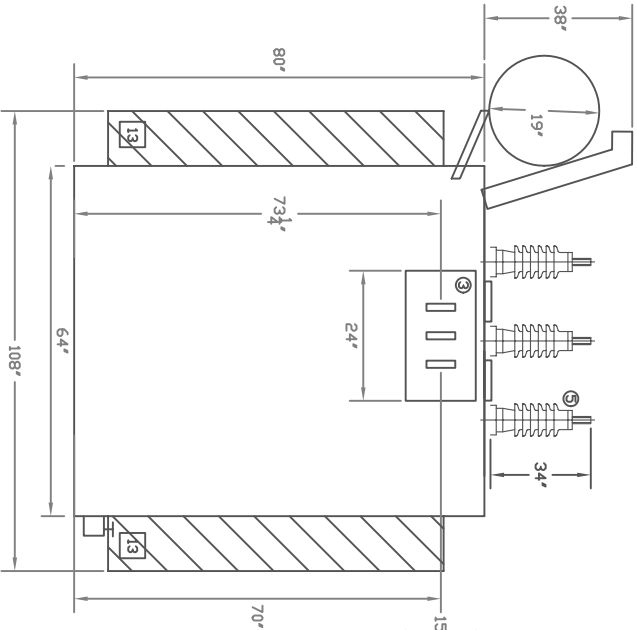
Top View

Serial #: 98681
 Pioneer Electric
 KVA: 1500
 Temp. Rise: 55 deg C
 GalS. Dil: 390

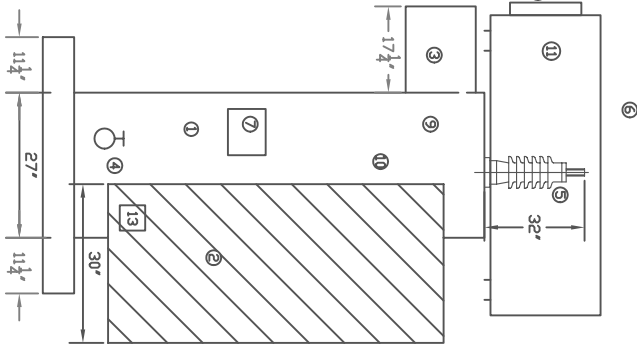
Type: DNS
 H.V.: 27600V
 Vector Rel: D/D
 B.L.L.H.V.: 200kV
 T.x.W.t: 13750lbs

Tap Position	Voltage	Amperes
1	28980	29.9
2	28290	30.7
3	27600	31.7
4	26910	32.2
5	26220	33.1

- LEGEND**
- Transformer Main Tank
 - Transformer Cooling Fins
 - Secondary Junction Box
 - Main Sample Valve
 - H.V. Bushing
 - Pressure Relief Device
 - Fan Control Box
 - Liquid Level Gauge
 - Temperature Gauge
 - Tap Changer
 - Conservator Tank
 - Inspection Cover Plate
 - Fan Motors



Front View



Side View

LTL LINEMAN'S TESTING LABORATORIES
 41 RIVALDEN ROAD, WESTON, ONTARIO M9M 2M8 TEL: (416) 748-6911 FAX: (416) 748-0990

Project 1500 KVA Transformer (IPEX) Clayson Rd.
Title Detail and Data
By: PU
Date: April 2002

Approv: _____
Scale: NTS
Dwg No: 19
Rev: 0

Path: c:\p\MAINT Inv\Drawings\Tx19