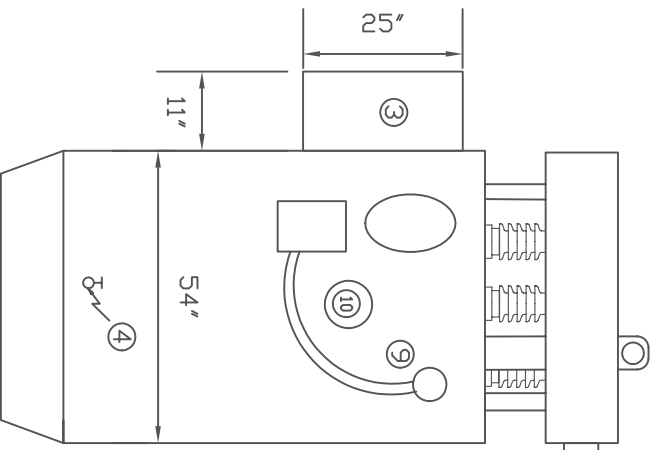


Top View



Front View

Transformer Name Plate Data

Serial # : 285169

Make: CanGener.El.

KVA: 750/1000

Vector Rel.: D/Y

Temp. Rise: 55 C

Gals. Dli: 360

Type: DNS/DNP

H.V.: 27600V

B.I.L.H.V.: 200kV

Tx.Wt.: 9000 lbs

Built: 1963

Z%: 5.6/7.4

L.V.: 480Y/277V

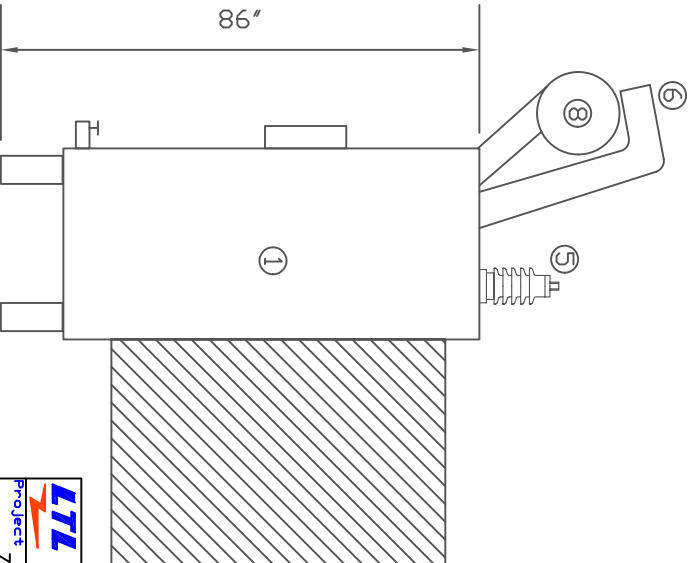
B.I.L.L.V.: 45KV

Dwg: NP 231652

Tap Position	Voltage	Amperes
1	28,980	14.9/19.9
2	28,290	15.3/20.4
3	27,600	15.7/20.9
4	26,910	16.1/21.5
5	26,220	16.5/22.0

Identification

1. Transformer Main Tank
2. Transformer cooling Fins
3. Secondary Junction Box
4. Main Sample Valve
5. H.V. Bushings
6. Pressure Relief Device
7. Pressure/Vac. Gauge
8. Liquid Level Gauge
9. Temperature Gauge
10. Tap Changer



Side View

**LTL** LINEMAN'S TESTING LABORATORIES

41 RIVALDA ROAD, WESTON, ONTARIO N9M 2M8 TEL:(416) 742-6911-2 FAX:(416) 748-0298

Project: 750/1000KVA Transformer ( Peel Plastic)

Title: Detail and Data

By: CM

Approv: [Signature]

Scale: N.T.S.