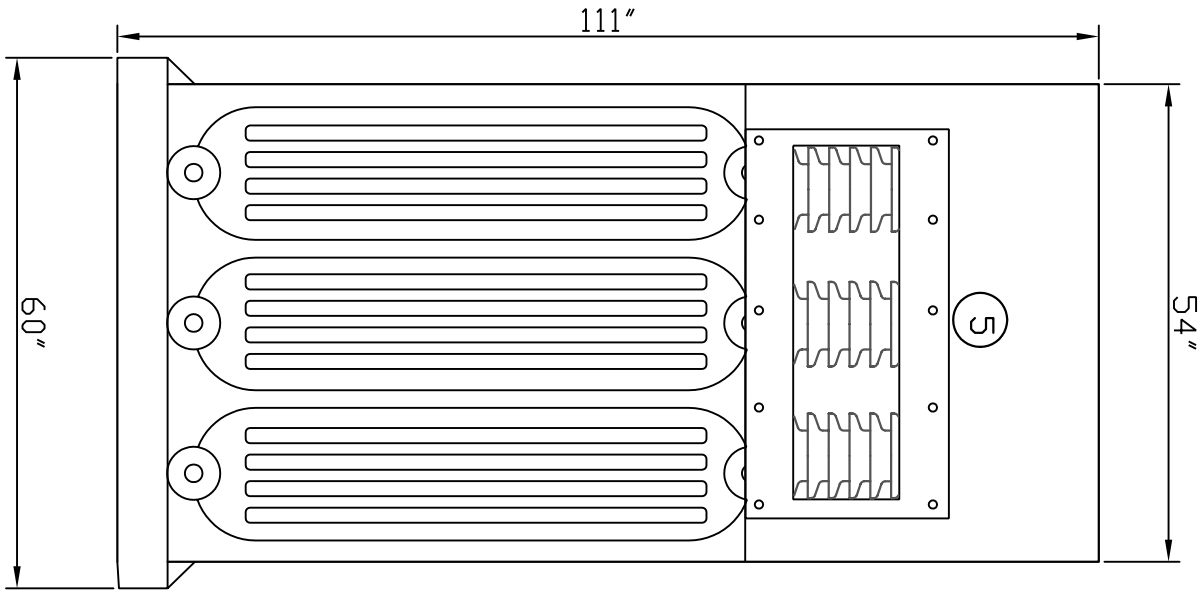


Tap Position	Volts	Amperes
1	14490	59.6
2	14145	61.2
3	13800	62.75
4	13455	64.3
5	13110	65.9

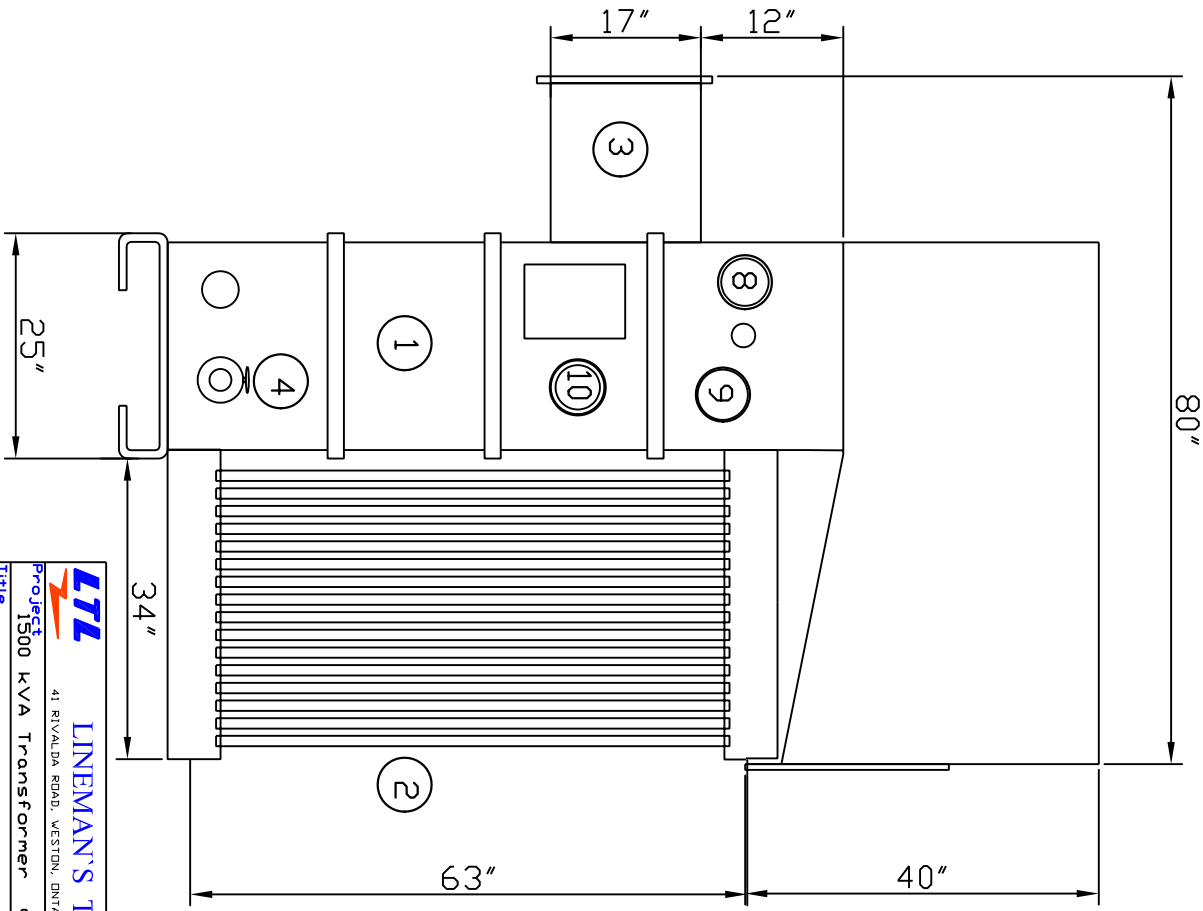


Transformer Name Plate Data

Serial # : JE 757  
 Make: Foster  
 KVA: 1500  
 Vector Rel: D/Y  
 Temp. Rise: 65 C  
 Gals. Dil: 300

Type: DMAN  
 H.V.: 13800V  
 Neut.: Yes  
 BIL.H.V.: 110kV  
 Tx.Wt.: 10221 lbs

Built: 1975  
 Z%: 4.29  
 L.V.: 600Y/347V  
 BIL.L.V.: 45kV  
 Dwg. : # N/A



Identification

1. Transformer Main Tank
2. Transformer cooling fins
3. Secondary Junction Box
4. Main Sample Valve
5. H.V. Bushings
6. Pressure Relief Device
7. Pressure/Vac. Gauge
8. Liquid Level Gauge
9. Temperature Gauge
10. Tap Changer

**LTL** LINEMAN'S TESTING LABORATORIES  
 41 RIVALBA ROAD, WESTON, ONTARIO M9M 2M8 TEL:(416) 742-6911-2 FAX:(416) 748-0290

Project: 1500 KVA Transformer ( L B Pearson )

Title: Detail and Data

By: GM

Date: 29 May 2002

Scale: NTS

Dwg No: #14

Rev: 0