

Top View

Transformer Name Plate Data

Identification

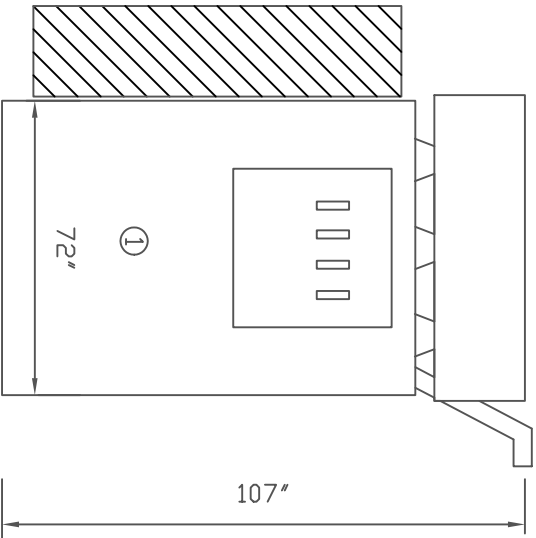
Serial # : 120620
 Make:Woden
 KVA: 3000
 Vector Rel.: D/Y
 Gals. Dli: 550
 BILHV :170kV

Type: DNAN
 H.V.: 27600V
 Temp.Rise:65 C
 Tx.Wt.: 15635 lbs
 BILLV: 30kV

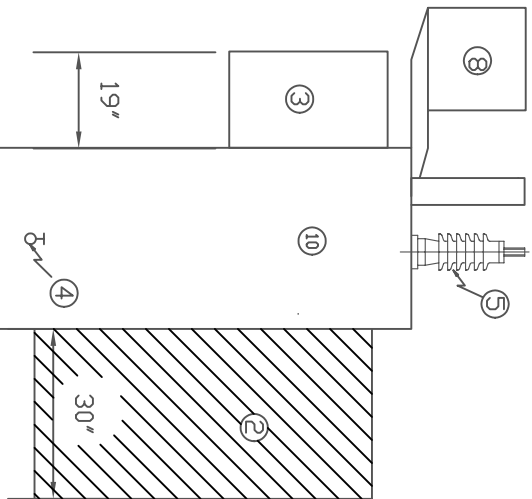
Built: 1984
 Z%: 5.61
 L.V.: 600Y/347V
 Dwg.#: CS4777

Tap Position	Voltage	Amperes
1	28,980	59.8
2	28,290	61.2
3	27,600	62.8
4	26,910	64.4
5	26,220	66.0

1. Transformer Main Tank
2. Transformer cooling fins
3. Secondary Junction Box
4. Main Sample Valve
5. H.V. Bushings
6. Pressure Relief Device
7. Pressure/Vac. Gauge
8. Liquid Level Gauge
9. Temperature Gauge
10. Tap Changer



Front View



Side View

LTL	
LINEMAN'S TESTING LABORATORIES	
41 RIVALDA ROAD, WESTON, OHIO 43081 Tel:(416) 742-6911-2 Fax:(416) 748-0290	
Project	3000KVA Transformer
Title	Detail and Data
By:	GM
Approv:	Scaler NTS