

Transformer Name Plate Data

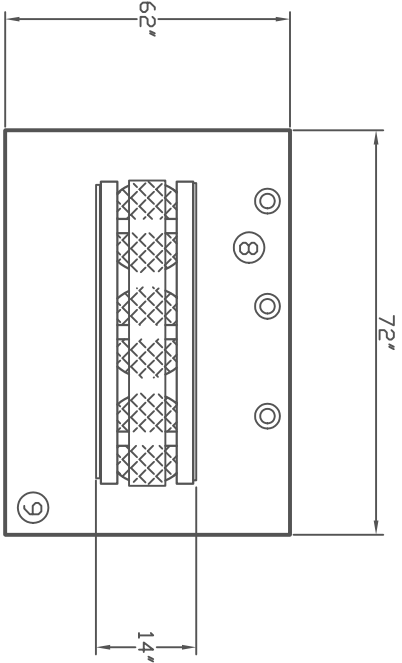
Serial # : 19967 Style # : SH3-225G-12 Built: N/A
 Polygon I.L. Type: ANN L.V.: 4160/2400
 KVA: 225 H.V.: 13800V Z/: 4.0
 Vector Rel: D/Y Neut: Yes B.I.L.V.: N/A
 Temp. Rise: 170C Tx.W.t.:3550 lbs Dwg. : N/A
 Class:N/A

HIGH VOLTAGE TAP CONNECTIONS

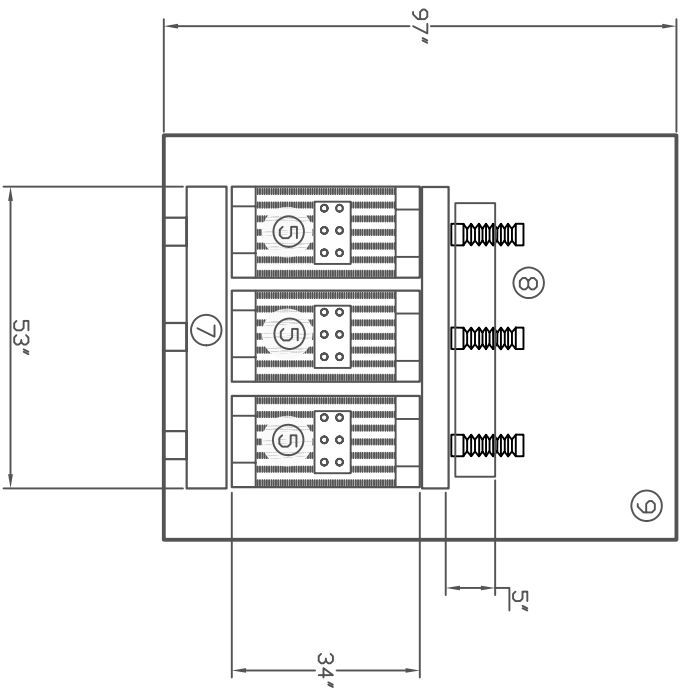
High Voltage Volts	%	Connect Links on Board
14490	105	1 to 2
14145	102.5	2 to 3
13800	100	3 to 4
13455	97.5	4 to 5
13110	95	5 to 6

Identification

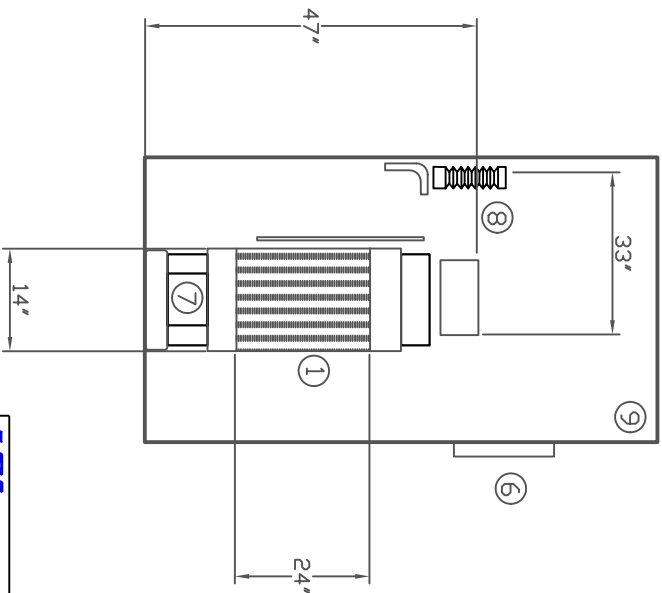
1. Transformer Core
2. Transformer cooling fans
3. High Voltage Bus
4. Low Voltage Bus
5. Tap Leads
6. Temp. Gauge (housing)
7. Core Base
8. Lighting Arrestors
9. Housing




Top View



Front View



Side View

 LINEMAN'S TESTING LABORATORIES	
Project: Air Cooled Transformer 225KVA	
41 RIVALDA ROAD, WESTON, ONTARIO M9M 2W8 Tel:(416) 742-6911-2 Fax:(416) 748-0290	
Title: Detail and Data	
By: GM	Approv:
Date: May 2002	Part: 95/MAIN1 Inv./Drawing/AC25
Scale: NTS	Dwg No: ACC25
Rev: 0	