

Transformer Name Plate Data

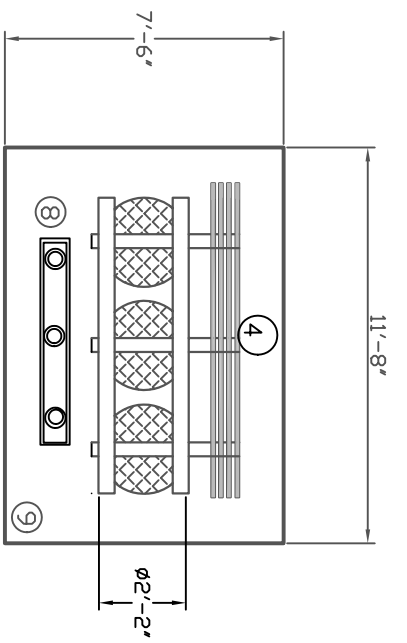
Serial # : 87TSH244 Style # : N/A Built: N/A
 Make: WESTINGHOUSE Type: ANN/proANNF L.V.: 480V/277
 KVA: 1000/1350 H.V.: 27500 Z%: 5.78@100 C
 Vector Rel: D/Y Neut: Yes B.L.L.V.: 10
 Temp. Rise: 80/150C Tx.Wt.: 12600 Dwg. : N/A
 Class: 220 SYS

HIGH VOLTAGE TAP CONNECTIONS

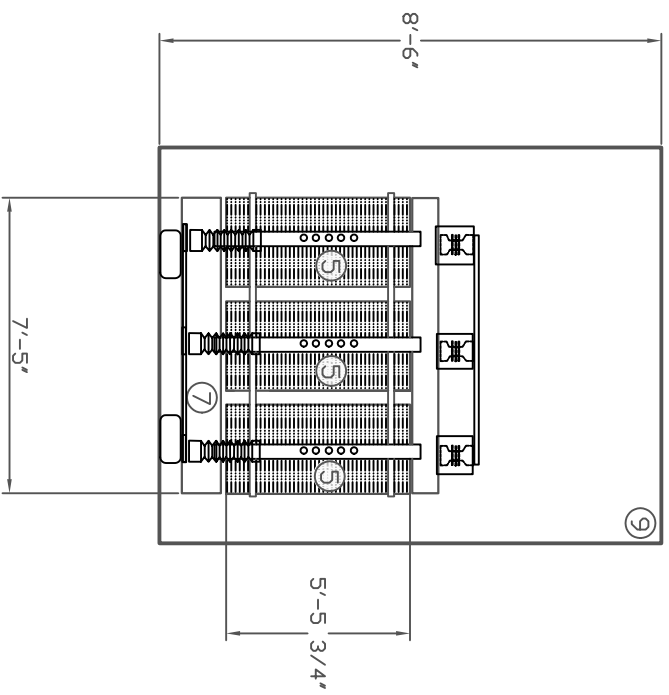
Connect	Volts	Amps
4-5	105%	19.9
4-6	102.5%	20.4
3-6	100%	20.9
3-7	97.5%	21.5
2-7	95%	22.0

Identification

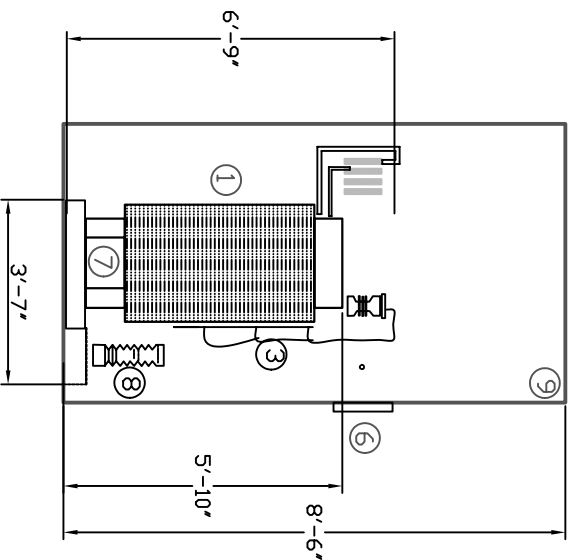
1. Transformer Core
2. Transformer cooling fans
3. High Voltage Bus
4. Low Voltage Bus
5. Tap Leads
6. Temp. Gauge (housing)
7. Core Base
8. Lighting Arrestors
9. Housing



Top View



Front View



Side View

LTL LINEMAN'S TESTING LABORATORIES

41 RIVALDA ROAD, WESTON, ONTARIO M9M 2W8 TEL:(416) 742-6911-2 FAX:(416) 748-0290

Project: Air Cooled Transformer 1000/1350KVA (FDRD)

Title: Detail and Data

By: G

Date: Aug.2002

Scale: NTS

Apprv: *[Signature]*

Dwg No: AC18

Rev: 0