

# Transformer Name Plate Data

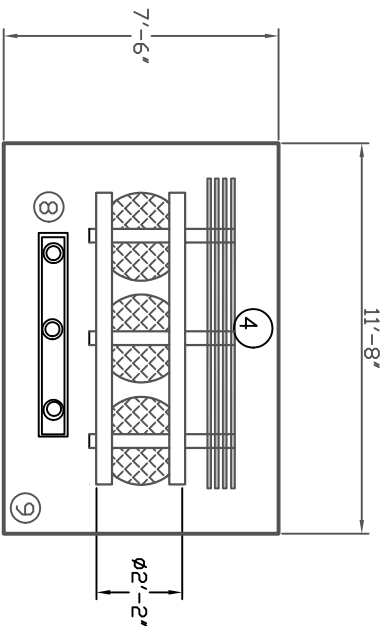
Serial # : 87TSH243      Style # : N/A  
 Make: WESTINGHOUSE      Type: ANN/proANNF      Built: N/A  
 KVA: 1000/1350      H.V.: 27600      L.V.: 480Y/277  
 Vector Rel.: D/Y      Neut: Yes      Z%: 5.78@100 C  
 Temp. Rise: 80/150C      B.I.L.H.V.: 150kv      B.I.L.L.V.: 10  
 Class: 220 SYS      T.x.w.t.: 12600      Dwg. : N/A

## HIGH VOLTAGE TAP CONNECTIONS

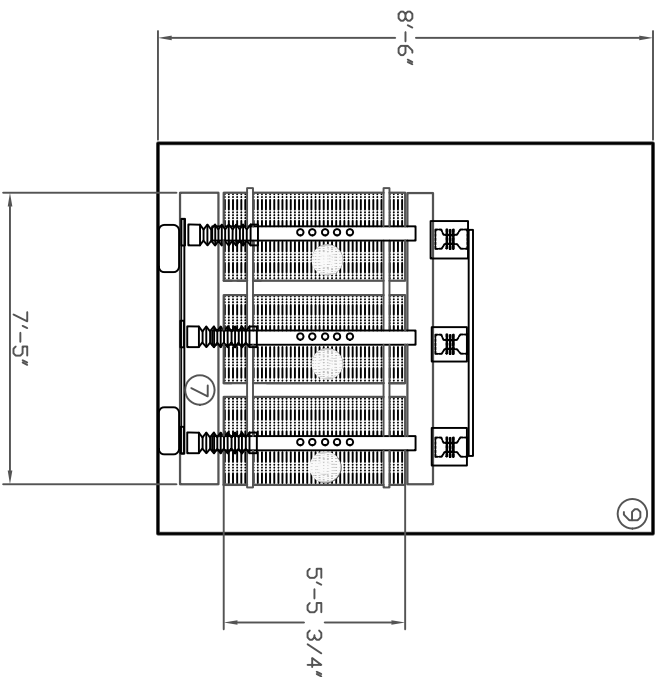
Connect	Volts	Amps
4-5	105%	199
4-6	102.5%	204
3-6	100%	209
3-7	97.5%	215
2-7	95%	220

## Identification

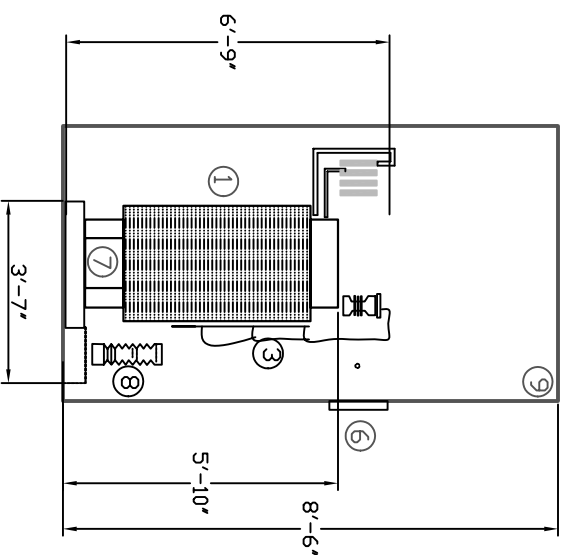
1. Transformer Core
2. High Voltage Bus
3. Low Voltage Bus
4. Tap Leads
5. Temp. Gauge (housing)
6. Core Base
7. Lighting Arrestors
8. Housing




Top View



Front View



Side View


**LINEMAN'S TESTING LABORATORIES**  
 41 RIVALDA ROAD, WESTON, ONTARIO M9M 2M8 TEL:(416) 748-6911-2 FAX:(416) 748-0890  
**Project** Air Cooled Transformer 1000/1350 (FDRD)  
**Title** Detail and Data  
**By:** G **Approv:** \_\_\_\_\_  
**Date:** Aug 2002 **Dwg No:** AC17 **Rev:** 0